

MODEL. IO64M.1

FEATURES

- 5 Functions
- 65L gross capacity
- Modern fixed knobs
- 120 minute minder timer
- Cavity cooling system
- Triple-glazed removable door

ACCESSORIES

- Enamelled baking tray
- Chrome baking tray insert
- Chrome shelf with safety lock

REQUIREMENTS

- (Supplied with 10 amp plug)
- Maximum Power: 2.0kW

SAFETY

- Triple glazed cool touch door

5 x FUNCTIONS

- Fan-Forced
- Grill
- Fan & Grill
- Defrost
- Light

PRODUCT DIMENSIONS

Packaged (w, d, h mm):

650 x 680 x 595mm

Physical (w, d, h mm):

595 x 575 x 595mm

Weight (net/gross):

30kg / 33kg

CLEANING

- Easy to remove inner door glass
- Easy to remove door with quick release hinges
- Oven interior features easy to clean enamelling
- Easy to remove, heavy duty chrome side racks

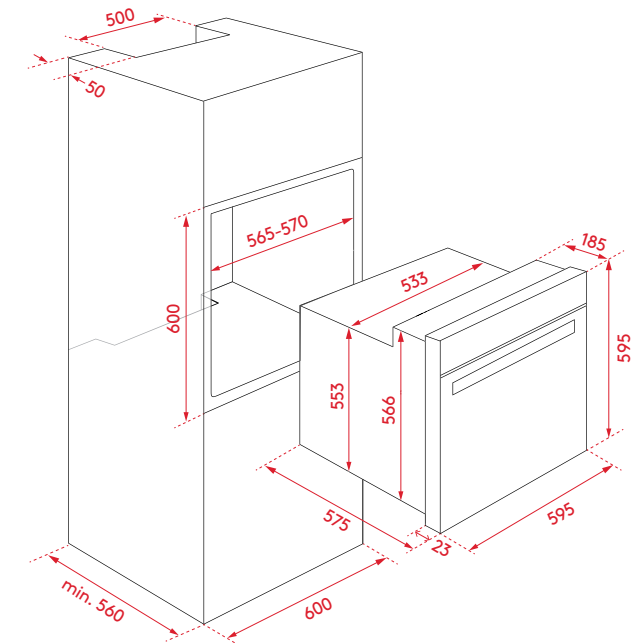
WARRANTY

- 2 years

INSTALLATION

- See below diagram

60cm Fan Forced Oven Minute Timer



MODEL: IDW72W

FEATURES

- 5 Functions
- 65L gross capacity
- Modern fixed knobs
- 120 minute minder timer
- Cavity cooling system
- Triple-glazed removable door

ACCESSORIES

- Enamelled baking tray
- Chrome baking tray insert
- Chrome shelf with safety lock

REQUIREMENTS

- (Supplied with 10 amp plug)
- Maximum Power: 3.1kW

SAFETY

- Triple glazed cool touch door

5 x FUNCTIONS

- Fan-Forced
- Grill
- Fan & Grill
- Defrost
- Light

PRODUCT DIMENSIONS

Packaged (w, d, h mm):

650 x 680 x 595mm

Physical (w, d, h mm):

595 x 575 x 595mm

Weight (net/gross):

30kg / 33kg

CLEANING

- Easy to remove inner door glass
- Easy to remove door with quick release hinges
- Oven interior features easy to clean enamelling
- Easy to remove, heavy duty chrome side racks

WARRANTY

2 years

INSTALLATION

See below diagram

60cm Freestanding Dishwasher

White

