

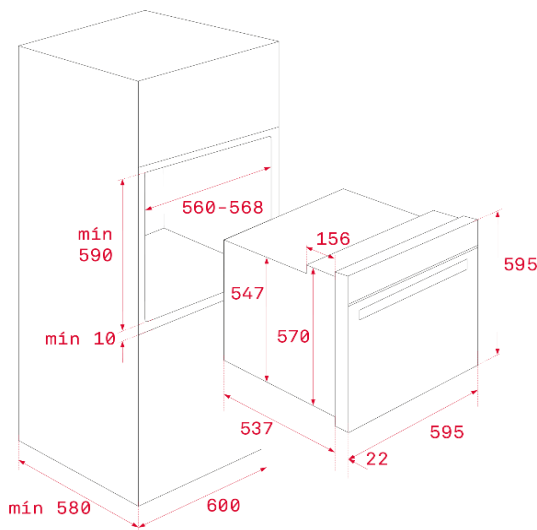
Cavity dimensions

↑367 mm →475 mm ↗402 mm

External dimensions

↑595 mm →595 mm ↗559 mm

Technical drawing



Features

- Multifunction pyrolitic oven (Surround temp)
- STEAKMASTER function with special Grill, auto programs and exclusive cast iron tray
- Hydroclean PRO
- 12 cooking functions + 20 recipes: Top+Bottom, Grill+Bottom, Grill, Maxigrill, Top+Bottom+Fan, Pizza, Bottom, Turbo, Defrosting, Slow cook, ECO, Ferment
- Capacity gross/net: 71/63 litres
- TFT Display 4"
- Automatic quick heating
- Rotative black knobs
- 4-glazed door
- 2 sets of Chromed guides with 5 levels
- Enameled cavity with 2 telescopic guide (easy slide)
- Full glass inner door
- Soft close
- Crystal clean enamel
- Baking tray enamel, Deep tray enamel
- 21 cm Chef Knife + Guide included
- 150 cm connecting wire + plug

Color

Reference

EAN 13

- Black - SS 111000026 8434778009910

Technical data

- Energy Efficiency class A
- Voltage 220/240 V
- Frequency 50/60 Hz
- Maximum connection rating 3552W