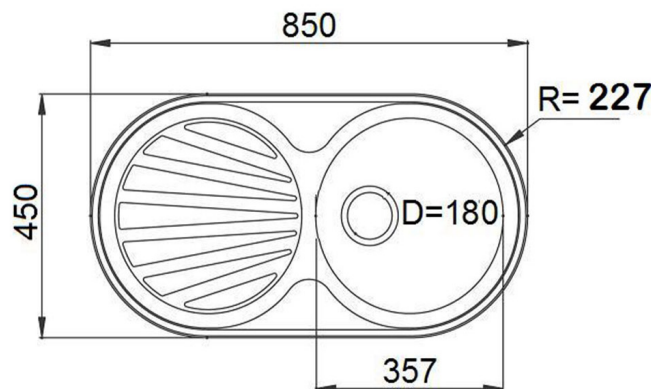




REVERSIBLE



SPECIFICATIONS

(All measurements are in millimeters)

Description:

CM Round Single Bowl & Drainer.

Sink Dimensions:

850W x 450H x 180D

Bowl Dimensions:

357W x 357H x 180D

Min Cabinet

Size: 400mm

Installation:

Inset-mount

Material:

1.0mm 18/8 304 Stainless steel. Silk finish.

Tap Holes:

Not tap Hole or 1 tap hole.

Outlet:

90mm chrome basket waste included.

Cut Out Templates:

Yes

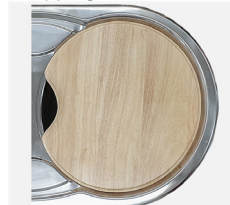
Warranty:

15 years of replacement of products and parts.

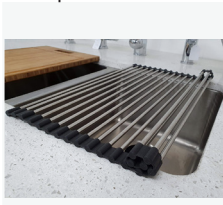
*NOTE: Always use the physical product measurements for cut-outs as the manufacturer's template is a guide only and may differ from the actual product dimensions over time.

Optional Accessories

Chopping board CB219



Roll up drainer RD2



Glass chopping board (for using on the Bench)



Bench Protector



Space Saver Spazio Kit



Cube Mixer PL523

